

**PARTS LIST FOR LIFTOMATIC POWER TRUCK ATTACHMENT
MODEL DCMJ-BC**

<u>Fig. #</u>	<u>Part #</u>	<u>Quantity Req'd.</u>	<u>Description</u>
1	2037	1	Housing, Double Clamp
2	10001	1	Bushing, Housing Yoke
3	7019	2	Upper Jaw
4	7017	2	Lower Jaw
5	14014	2	Pin, Upper Jaw/Link
6	14015-1	4	Pin, Jaws/Housing
7	6021	2	Spring, Jaw/Housing
8	19003-1	4	Link, Jaw/Jaw
9	14016-1	2	Pin, Lower Jaw/Link/Housing
10	2160	2	Fibre Drum Guard
11	14019-1	2	Pin, Guard/Housing
12	6109	3	Hair Pin Clip
13	6074-1	4	Washer
14	6003-CP	16	Cotter Pin
15	2106	1	Universal Body
16	6118	1	Trunnion Screw
17	6078	1	Lock Washer
18	6117	2	Socket Cap Screw (2-6078 lock washers req'd)
19	46005	1	Spacer
20	16046	1	Universal Pin
21	12005	1	Upper Pivot Block
22	6072	1	Plain Washer
23	6054	1	Roll Pin
24	2105	1	Lower Pivot Block
25	2135	2	Adjustment Slides
26	6998-1	1	Spring Hook
27	16019-1	1	Adjustment Pin
28	2136	2	Clevis
29	16004	2	Pin, Clevis
30	6009-CP	4	Cotter Pin
31	6028	2	Spring, Clevis
32	4081	1	Carriage Latch Assembly
33	4019	1	Belt Cradle Frame (Belt Included)
34	6152	1	All Purpose Cotton/Nylon Belt
	6153	1	Rubber Belt
	6155	1	4" Wide Rubber Belt (for units prior to Aug '90)
	6158	1	PVC Heavy Duty Belt
35	40022-1	2	Belt Clamp
36	6092	4	Hex Nut
37	6106	4	Hex bolt
38	2096	1	Clamp/Adjusting Rod
39	6093	2	Hex Nut
40	6107	1	Hair Pin Clip, Adjustment Pin
41	4050	1	Safety Chain Clamp w/Bolt (Not Shown)

ASSEMBLIES

Figure #1 to #14

--Clamp. Mech. Assy. P/N 4007

Figure #15 to #31

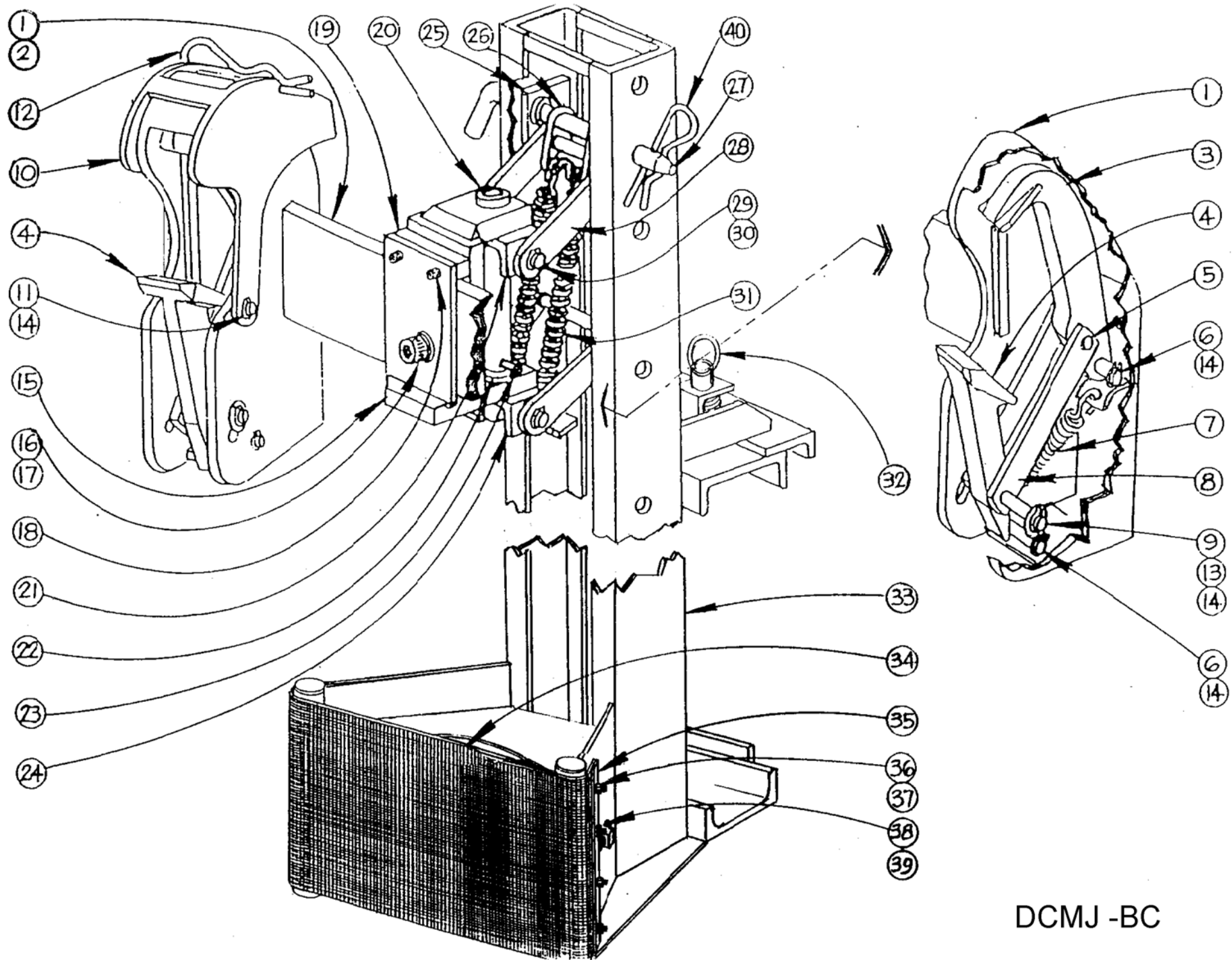
--Univ. Joint Assy. P/N 4008

Above assemblies complete, less frame

--Complete Assembly P/N 4004

LIFTOMATIC PH: (847)-325 2930 or (800) 837-6540 www.liftomatic.com info@liftomatic.com

DCMJPRTS.DOC 1/1/08



DCMJ -BC