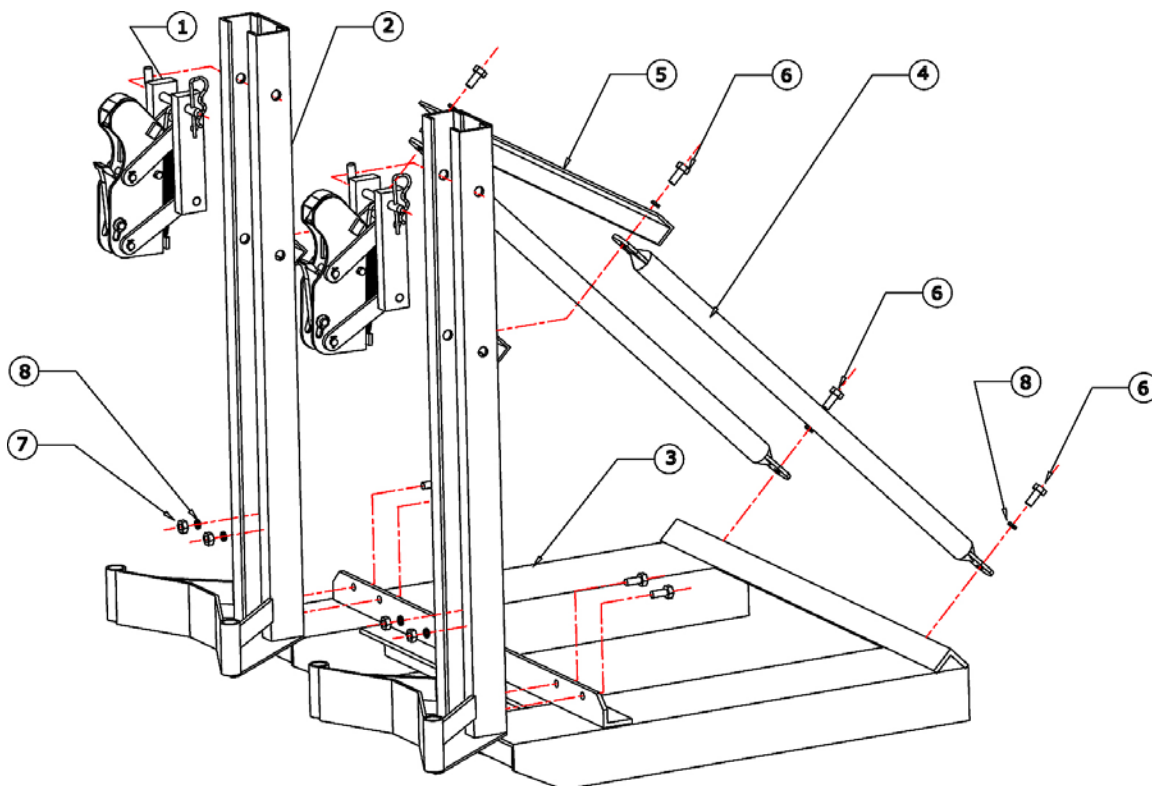


## LIFTOMATIC LD-2 PART LIST



No.	Description	Qty	Part Number
1	LD Clamp Mechanism Assembly	2	4009
2	LD Vertical Frame	2	2007
3	LD Slide-On-Mounting Weldment	1	2069
4	LD Brace	2	12006
5	LD Cross Bar	1	22022
6	Bolt	8	6123-M
7	Nut	4	6099-M
8	Lock Washer	8	6077-M

- Item 1 and 2 (Clamp Mechanism and Vertical Frame) part number = 4076
- Item 3 to 7 (Fork Mounting, Brace and hardware) part number = 4077-2